

## Service Information

# Installation Instruction for the DASH Tape Cleaner

### Introduction

The DASH Tape Cleaner helps to have better tape head contact by removing dust from tape. It has a positive influence on error rate and head life. It can be mounted on all STUDER DASH machines (D820MCH and D827MCH).

**The DASH Cleaning kit (20.050.863.01) contains** (see Fig. 1 and 2):

1 pce.	10.27.3515		Installation Instruction
2 pcs.	21.53.0465	(11)	C - screw Allen M4x35
1 pce.*	21.53.2354	(6)	CS - screw Allen M3x6
2 pcs.	24.16.1040	(11)	Spring Washer
1 pce.	89.01.3951	(1)	Box with Cleaners 12 pcs.
1 pce.*	89.01.3952	(2)	Cleaner Shaft
1 pce.*	89.01.3953	(4)	Flange
1 pce.*	89.01.3954	(3)	Spring Plate
1 pce.	1.863.114.05	(9)	Cover Plate Light Barrier
1 pce.	1.863.114.06	(8)	Cover Support
1 pce.	1.863.114.07	(7)	Roller Cover
1 pce.*	1.863.114.08	(5)	Cleaner Mounting Plate

\* sub-assembled

### Mounting of the Cleaner Kit:

#### Required Tools:

- 2 mm STUDER screw-driver (2 mm Allen key)
- 2.5 mm STUDER screw-driver (2.5 mm Allen key)
- 3 mm STUDER screw-driver (3 mm Allen key)

**Mounting Instruction** (see Fig. 1 and 2):**Do not disassemble the sub-assembly.**

- Dismantle the transport cover plate (10).
- Disassemble the old Light Barrier Cover Plate completely and send it back to STUDER Regensdorf.
- Mount the sub-assembled cleaner kit (2 - 9) by the one separate screw (11). Do not tighten it yet completely.
- Unscrew now the screw (11) with the space washer carefully which holds the sub-assembled cleaner kit together. Lift-off the space washer, the washer is not used anymore.
- Mount the cleaner kit with the screws (11) completely by moving the cleaner kit until you can insert the second screw (11).
- Tighten the screws (11) and mount the Transport Cover Plate (10).
- Send the old Light Barrier Cover Plate back to STUDER Regensdorf.

**Using the Tape Cleaner:****How to mount the Cleaner:**

**Caution: Do not touch the white cleaning part with bare fingers. Hold it on the black support only! The Cleaner should not be replaced with loaded tape. The tape could be damaged.**

- Take a new Cleaner from the box by holding it only at the black support and put it on to the empty tape cleaner shaft.
- Turn the Cleaner into one of the 10 click positions.

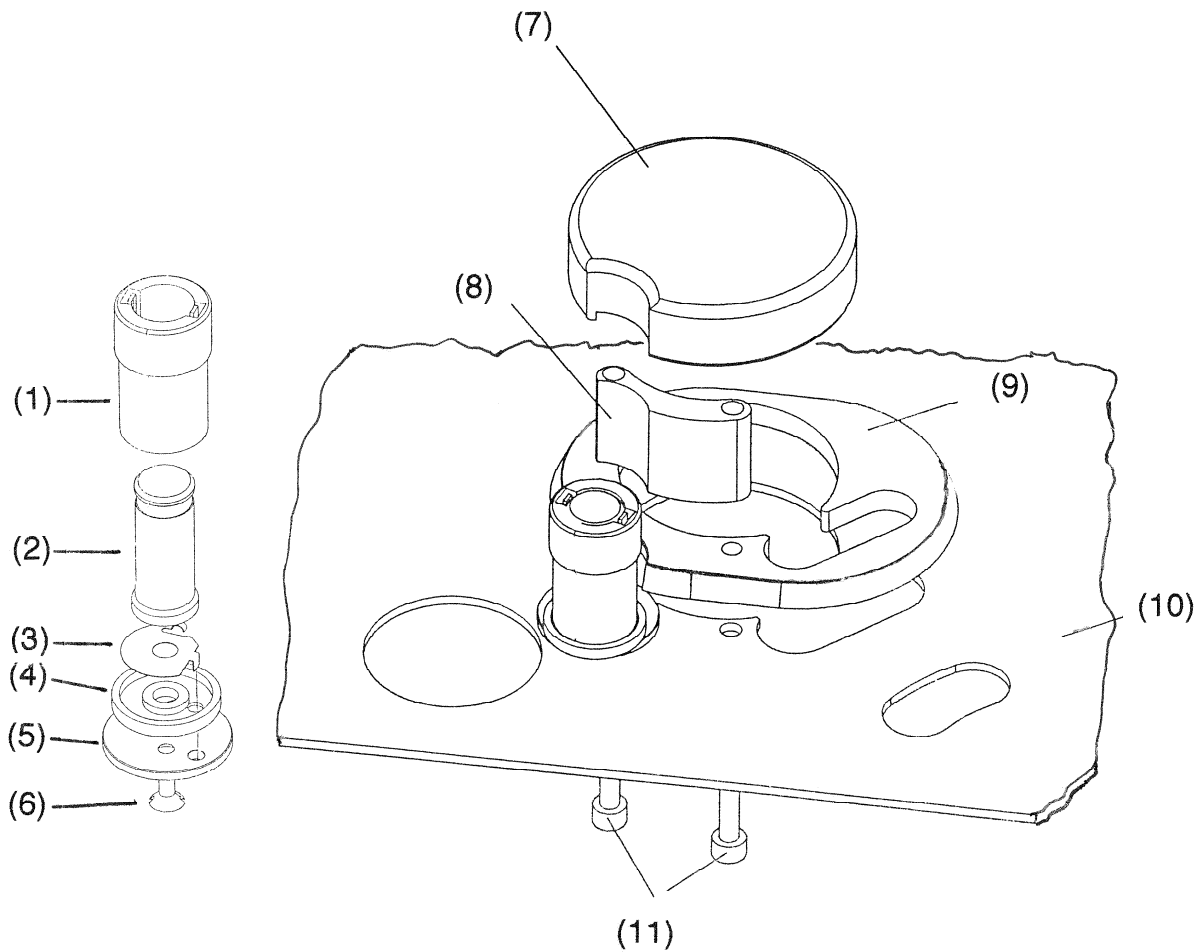
**How to operate the Cleaner:**

- Check the Cleaner surface (white part) without tape. If some dirt is visual, turn it to the next unused click position.
- Replace the Cleaner when all positions are used.
- Load the tape.
- A Cleaner will last for approximately 1 week under normal condition.

**Caution: Do not use the green market cleaner part. This joint section can damage the tape. Use only the click position.**

**Always ensure that the Cleaner is set-up correctly before use.**

Order number 89.01.3951: Package containing 12 Cleaners.



**Fig. 1**

**Fig. 2**

Index:

1 pce.	89.01.3951	(1)	Box with Cleaners 12 pce.
1 pce.*	89.01.3952	(2)	Cleaner Shaft
1 pce.*	89.01.3954	(3)	Spring Plate
1 pce.*	89.01.3953	(4)	Flange
1 pce.*	1.863.114.08	(5)	Cleaner Mounting Plate
1 pce.*	21.53.2354	(6)	CS - screw Allen M3x6
1 pce.	1.863.114.07	(7)	Roller Cover
1 pce.	1.863.114.06	(8)	Cover Support
1 pce.	1.863.114.05	(9)	Cover Plate Light Barrier
1 pce.	1.863.114.00	(10)	Tape Transport Cover Plate
2 pcs.	21.53.0465	(11)	C - screw Allen M4x35
2 pcs.	24.16.1040	(11)	Spring Washer

\* sub-assembled